



Expandable M balcony

Superior roadshow trailer

With HMK Bilcon's **Expandable M balcony**, you get a large, spacious trailer, which can be taken and set up anywhere, where you can park a truck. It has two expandable modules - one on each side - as well as a balcony on the roof. It is constructed with 63 mm fiberglass-reinforced polyester panels, which make up both the outer and inner cladding manufactured according to the "sandwich" principle to ensure great strength and good insulation.

Flexible wall systems

The walls in the trailer are flexible and can be adjusted as needed. The sides of the trailer are easily extended by remote control, and when the trailer is set up, you get a large bright room, which gives a total floor area of 97 m². This makes the trailer ideal for events, branding, sales promotion, product launches and trade fair activities. The interior of the trailer can be customized according to your wishes and can include air-conditioning, underfloor heating, toilet facilities, networks, AV systems and much more.

BENIFITS

HIGH QUALITY

FAST SETUP

DELIVERY ON TIME

FLEXIBLE INTERIOR DESIGN

LONG LIFETIME

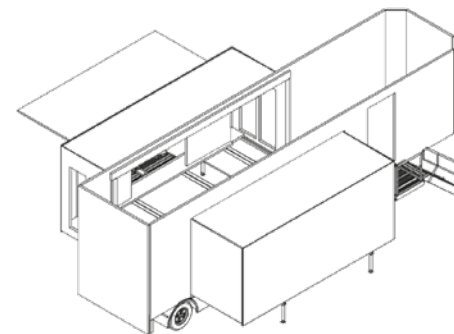
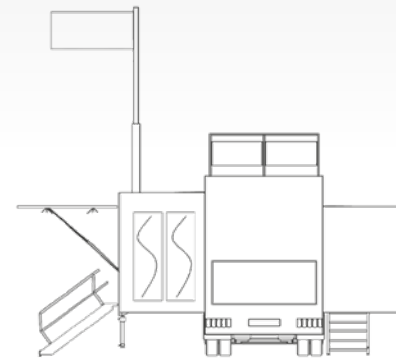
UP TO 3 YEARS WARRANTY

Expandable M balcony

Superior roadshow trailer

Dimensions

| | Internal | External |
|-------------------------------------|-------------------------|----------------|
| Length | 12.45 m | 13.6 m |
| Width, transport | 2.41 m | 2.55 m |
| Width, set up | Up to 6.12 m | Up to 6.25 m |
| Total height, transport | | 4.00 m |
| Internal height front end | 2.40 m | |
| Internal height lower end | 2.75 m | |
| Entrance height above ground | 1.10 m | |
| Internal height pods | Up to 2.40 m | |
| Pods dimensions | | 8 m x 1.85 m |
| Total floor area | Up to 97 m ² | |
| Net weight (depending on equipment) | | From 15,000 kg |



EQUIPMENT & OPTIONS

AIR-CONDITION

FLOOR HEATING

POWER GENERATOR

KITCHEN FACILITIES

TOILET FACILITIES

INTERNAL NETWORK

WARDROBE

WINDOWS

FLAGPOLES

ADDITIONAL DOORS

AV-SYSTEM

DESKS

GOODS LIFT

AND MUCH MORE